

# Eastsign

## Rotary Heat Press BOT-H

### BOT-H Series

- ★ Garments
- ★ Mouse Pad, Carpet
- ★ Flag, Tent, Blanket, Curtain
- ★ Polyester Fabric in Rolls or Piece



### Features

- Aligning Blanket Automatically
- Detecting Temperature on the Surface
- Filling Oil Drum to 100% Full (Saving 30% Power)
- Controlling Temperature Precisely (Controllable Silicon Solid State Relay)
- At Least 70% Blanket Coverage
- Daily Power On/off
- Touch Screen Control Panel
- User Friendly Operating System
- Real Time Reflection of Transfer Time and Yield
- Cut piece collection at the back of the machine.
- No Large Floor Space Required
- Unwind & Rewind Operating Works Independently without Interference



Touch Panel



Power Regulator



PLC



Slip Ring  
Maintenance-free

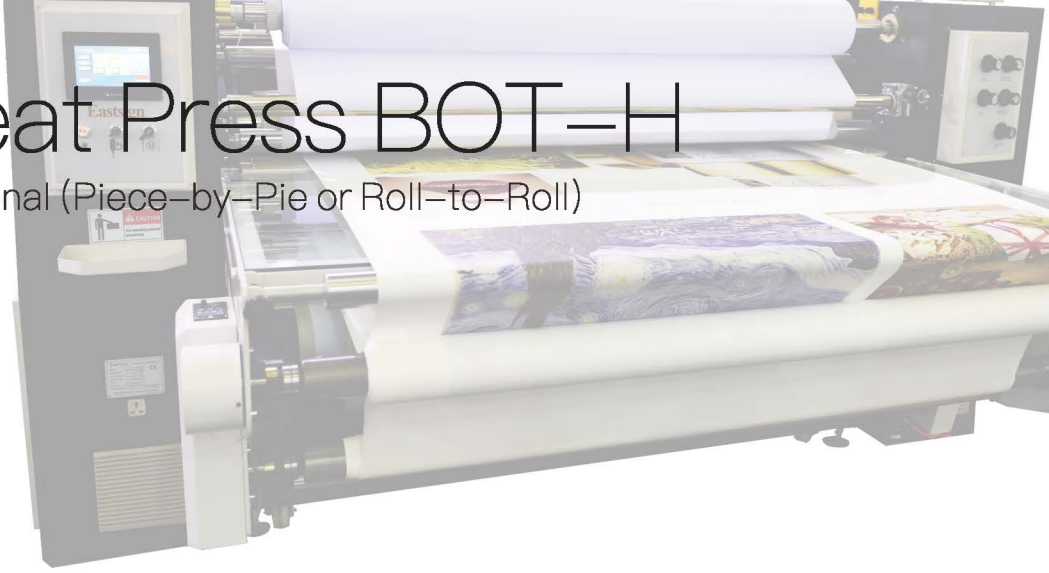


Timer  
Auto Power On/off

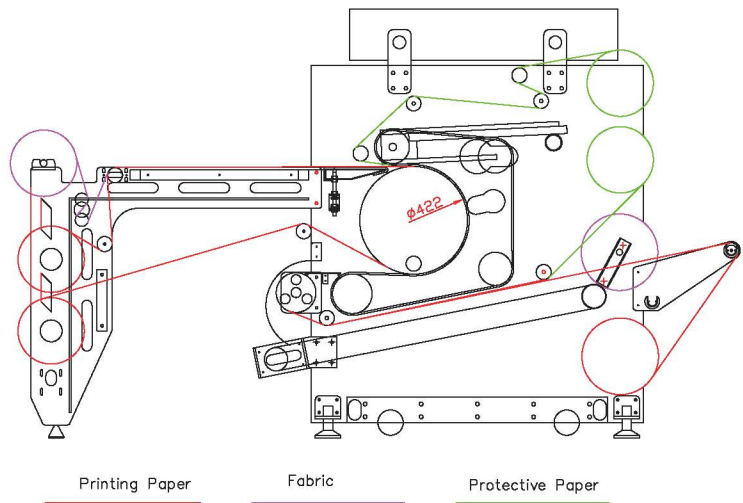


# Rotary Heat Press BOT-H

High End Multi-Functional (Piece-by-Pie or Roll-to-Roll)



## Process Diagram



## Specifications

Heating Media: Oil, 100% Full

Heating Elements: 9/15/27

Oil Drum Sizes:



⌘ Max Temperature: 240°C or 464°F

⌚ Transfer Paper: 0.5-1.5m/min

🌀 Process Path: Feeding in through Top of Drum

⚡ Working Voltage: 3 phase, 220V / 380V / 480V

🔧 Rated Power: 23KW/26KW/46KW



Model	BOT-1742-H
Transfer Width	1600mm or 63"
Felt Width	1700mm or 67"
Machine Dimension	2950mm x 1560mm x 1820mm or 116" x 62" x 72"
Working table Size	1900mm x 960mm x 1100mm or 75" x 38" x 43"
Packing Size	3150mm x 1800mm x 2100mm or 124" x 71" x 83"
Net Weight	2400kg or 5291lb
Gross Weight	2650kg or 5843lb

◆ Air Compressor: Optional

◆ Blanket and Oil Drum are not under warranty

◆ Other parts are eligible for 15 months warranty under proper use (starting from the time of ex factory)