

Eastsign

Flatbed Applicator – Professional Level



Options

- ★ Media tray
- ★ Clear PVC Cutting Mat for Top of Table

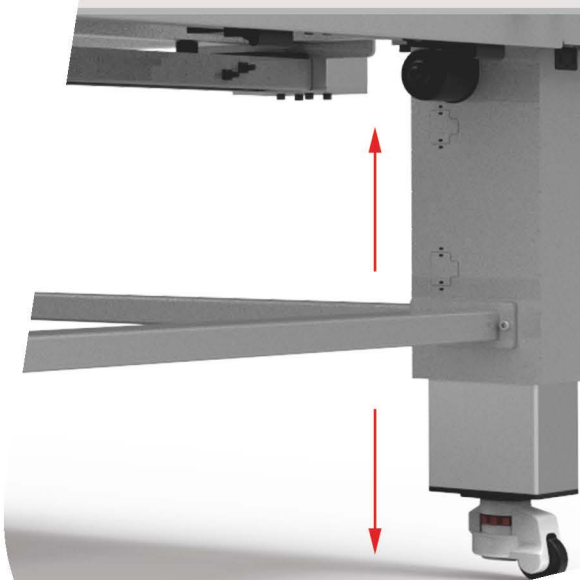


Features

- Adjustable table height
- Reduce production time dramatically
- Consistent high quality work flow
- Time savings equals more profit
- Elegant design, easy to use
- Minimal training required for operator
- Only one person required

Specifications

Variable Working Speed: Up to operator
 Max Temp: 60°C
 Max. Nip Opening: 50mm
 Heating: Infrared
 Preheating: 10~15min
 Roller Upgrade: Air Cylinder
 Roller Diameter: 130mm
 LED light: Y
 Silent air compressor: Y
 Power Input: 0.8~1.0kw/h
 Pressure Range: 0~0.8Mpa



Model	FA-1325325	FA-1530530	FA-1737'37
Max. Working Width	1300mm x 2500mm 51" x 98.4"	1500mm x 3000mm 59" x 118"	1700mm x 3700mm 67" x 146"
Packing Size (Working Table)	N/A	3900mm x 2250mm x 550mm 154" x 89" x 22"	N/A
Packing Size (Air Compressor)	N/A	520mm x 520mm x 220mm 21" x 21" x 9"	N/A
Packing Size (Main Roller)	N/A	1820mm x 200mm x 250mm 72" x 9" x 10"	N/A
Weight (NW)	580kgs	800kgs	920kgs
Weight (GW)	660kgs	880kgs	1000kgs